

# MVWB835DC

MAYTAG® EXTRA-LARGE CAPACITY WASHER WITH  
DEEP CLEAN OPTION - 5.3 CU. FT.



## KEY FEATURES

### BEST CLEANING IN ITS CLASS DRIVEN BY THE POWERWASH® CYCLE\*

This washer delivers Best Cleaning in its class driven by the PowerWash® Cycle, which features a combination of extra cleaning action and heated water to attack stubborn stains.

### DEEP CLEAN OPTION

The Deep Clean option adds a high-concentration soak early in the cycle providing a deep clean for those settled-in stains.

### OPTIMAL DISPENSERS

Optimal dispensers automatically release detergent, fabric softener and oxygenated additives at the right time for an outstanding cleaning performance.

### SANITIZE CYCLE

The Sanitize cycle removes 99.9% of household bacteria with extra hot water temperature, delivering thorough cleaning and peace of mind.

### DIRECT DRIVE MOTOR

The new direct drive motor powers an enhanced drive system that provides the power needed to handle larger loads. Plus, it's backed with a 10-year limited parts warranty† and tested to 2X life\*\* so you know it will keep delivering maximum performance for years.

### POWER™ IMPELLER

The Power™ Impeller attacks everyday tough stains in a single wash with a reverse wash motion and triple action spray that keeps clothes thoroughly saturated with concentrated detergent throughout the cycle.

### MAYTAG® COMMERCIAL TECHNOLOGY

These washers are built to last thanks to the Maytag® Commercial Technology we put under the hood, including a 2X Life\*\* tested drive system.

### 10-YEAR LIMITED PARTS WARRANTY† ON THE DIRECT DRIVE MOTOR AND WASH BASKET

We're so confident that these washers are built to get your clothes clean for years, we back them with a 10-year limited parts warranty† on the direct drive motor and stainless steel wash basket.

### AMERICAN PRIDE

We take pride in building strong, reliable appliances for your home. From Clyde, Ohio to you, these washers are designed, engineered and assembled in the U.S.A.



\*Models MVWB765F and MVWB766F. Based on 18-lb load, among leading top load brands, 4.5–4.9 cu. ft. capacity agitator washers, PowerWash® cycle vs. comparable cycles and default settings. \*\*Based on time-accelerated, 20-year simulated testing, Normal cycle and average use. †See warranty for details.

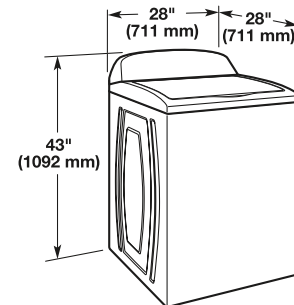


**MVWB835DC**  
**MAYTAG® EXTRA-LARGE**  
**CAPACITY WASHER WITH**  
**DEEP CLEAN OPTION - 5.3 CU. FT.**

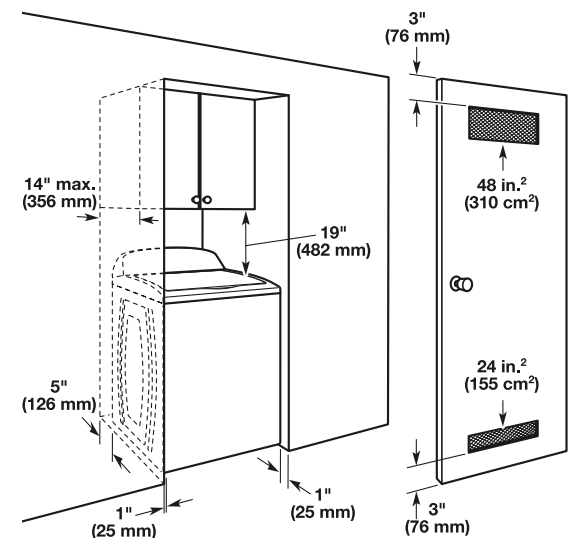
**MAYTAG® EXTRA-LARGE CAPACITY WASHER WITH**  
**DEEP CLEAN OPTION**  
**WASHER SPECIFICATIONS**

MODEL		MVWB835DC
ADA Compliant		--
CEE Tier		Not Rated
Energy Star® Qualified		▪
UL		▪
Amps		15
Volts		120
CYCLE AND OPTIONS		
Number of Wash Cycles		11
Washer Cycle Selections	Bedding, Clean Washer with affresh, Cold Wash, Deep Water Wash, Delicates, Normal, Powerwash®, Rinse & Spin, Sanitize with Oxi, Soak, Wrinkle Control	
Pre Soak		--
Option Selections	Audio Signal, Deep Clean, Extra Rinse, Oxi, Soil Level, Spin Speed, Temperature	
Number of Soil Levels		5
Soil Selections	Extra Heavy, Extra Light, Heavy, Light, Medium	
Spin Speeds		5
Temperature Selections	Cold, Cool, Hot, Warm, Warmer	
Maximum Spin Speed		850
CONTROLS		
Display Type		Digital
Drum Material		Stainless Steel
Hoses Included		--
Pedestal Options		--
Stackable		--
Out of Balance Sensing		▪
Sound Package		▪
LED Color		White
Feedback-Status Indicators	Done, Estimated Time Remaining, Lid Lock, Rinse, Sensing, Spin, Wash	
Control Type		Electronic Touch
DIMENSIONS		
A) Height — in.		43
B) Width — in.		27-1/2
C) Depth — in.		28

Washer Dimensions:



Recessed area or closet installation



Dimensions show recommended spacing allowed, except for closet door ventilation openings which are minimum required. This washer has been tested for installation with spacing of 0" (0 mm) clearance on the sides. Consider allowing more space for ease of installation and servicing, and spacing for companion appliances and clearances for walls, doors, and floor moldings. Add spacing of 1" (25 mm) on all sides of washer to reduce noise transfer. If a closet door or louvered door is installed, top and bottom air openings in door are required.

**COLORS**





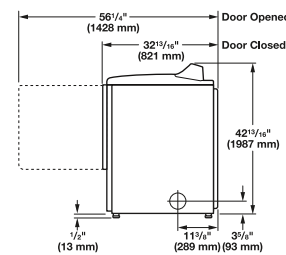


**MEDB835DC**  
**MAYTAG® EXTRA-LARGE**  
**CAPACITY DRYER WITH**  
**POWERDRY CYCLE - 8.8 CU. FT.**

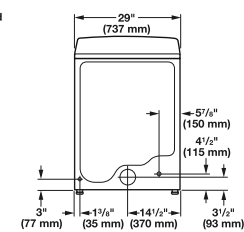
**MAYTAG® EXTRA-LARGE CAPACITY DRYER WITH**  
**POWERDRY CYCLE**  
**DRYER SPECIFICATIONS**

MODEL	MEDB835DC
ADA Compliant	--
Maximum Vent Length	64
Venting Direction	Left, Right, Bottom, Rear
Fuel Type	Electric
Energy Star® Qualified	▪
Amps	30
Hz	60
Volts	240
CYCLE AND OPTIONS	
Dryer Cycle Selections	Bedding, Delicates, Denim, Heavy Duty, Normal, PowerDry, Rapid Dry, Sanitize, Timed Dry, Wrinkle Control
Number of Dryer Cycles	10
Advanced Moisture Sensor	▪
Cycle Time Remaining	▪
EcoBoost™/Energy Saver	--
Lint Filter Indicator	▪
Sound Package	▪
Dryer Option Selections	Audio Level, Damp Dry Signal, Energy Saver, Wrinkle Prevent
Temperature Selections	Air Only, Extra Low, High, Low, Medium
CONTROLS	
Automatic Temperature Controls	▪
Electronic Display Type	Digital
Drum Material	Powder Coat
Drying Rack	--
Interior Light	▪
Pedestal Options	--
Stackable	--
Steam Hose Y Connector	--
Feedback-Status Indicators	Check Lint Screen, Check Vent, Done, Estimated Time Remaining, Good Air Flow, Sensing
Dryness Levels Selections	Less, Low, Medium, More, Normal
Number of Dryness Levels	5
Control Type	Electronic Touch
Control Location	Rear Panel
DIMENSIONS	
A) Height — in.	43
B) Width — in.	29
C) Depth — in.	32-1/4
D) Depth With Door Open 90 Degrees — in.	56-1/4

Side view

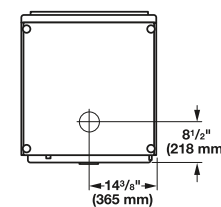


Back view



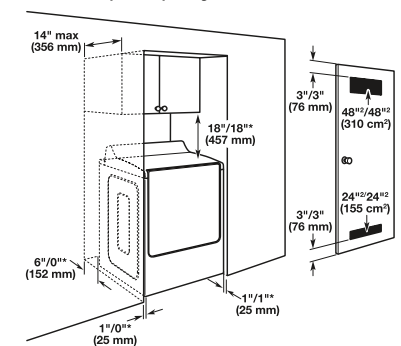
**NOTE:** Leveling legs 1/2" (13 mm) (3.6 washer capacity) or 1 1/2" (38 mm) (3.8 washer capacity) depending model.

Bottom view



**NOTE:** Most installations require a minimum of 6" (152 mm) clearance behind dryer for exhaust vent with elbow. See "Venting Requirements."

Minimum Required Spacing



**Spacing for recessed area or closet installation**

The dimensions shown are for the recommended spacing allowed.

- Additional spacing should be considered for ease of installation and servicing.
- Additional clearances might be required for wall, door, and floor moldings.
- Additional spacing of 1" (25 mm) on all sides of the dryer is recommended to reduce noise transfer.
- For closet installation, with a door, minimum ventilation openings in the top and bottom of the door are required. Louvered doors with equivalent ventilation openings are acceptable.
- Companion appliance spacing should also be considered.

\*Recommended/Minimum spacing

**COLORS**

