



# Freestanding Ranges

FFEF3015P W/B

30" Electric



## Product Dimensions

|                          |         |
|--------------------------|---------|
| Height (Max.)            | 47-1/2" |
| Width                    | 29-7/8" |
| Depth (Including Handle) | 28-1/2" |

## More Easy-To-Use Features

### Ready-Select® Controls

Easily control your cooking temperature with our easy-to-use controls.

### Store-More™ Storage Drawer

With the Store-More™ Storage Drawer, you will have extra space to store your cookware.

### Auto Shut-Off

As an extra safety measure, the oven will automatically shut off after 12 hours.

### Hi/Lo Broil Options

Offers two-position broiling and variable temperature control for more control.

### Timed Cook Option

Lets you set the oven to begin cooking at a predetermined time.

### Electronic Kitchen Timer

Available in:



White  
(W)



Black  
(B)

## Signature Features

### Large Capacity

Our large capacity oven gives you room to cook more dishes at once.

### Even Baking Technology

Our even baking technology ensures even baking every time.

### One-Touch Self Clean

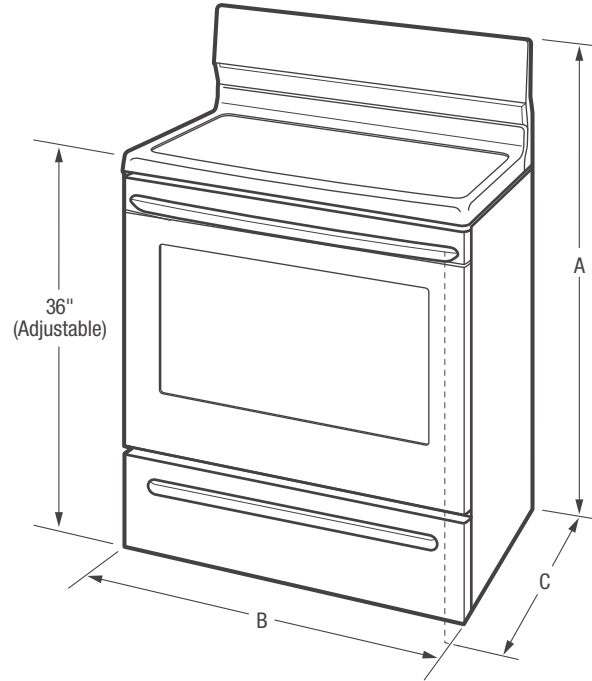
Your oven cleans itself — so you don't have to. Self clean options available in 2- and 3-hour cycles.

### Extra-Large Window

Check on the status of your dish without having to open the oven door.

| Elements    | Size | Watts |
|-------------|------|-------|
| Right Front | 6"   | 1,250 |
| Right Rear  | 8"   | 2,100 |
| Left Front  | 8"   | 2,100 |
| Left Rear   | 6"   | 1,250 |

| Features                                   |                             |
|--|-----------------------------|
| Oven Control/Timing System                 | Ready-Select® Controls      |
| Surface Type                               | Color-Coordinated Porcelain |
| Window                                     | Extra-Large                 |
| Exterior Door Finish                       | Color-Coordinated (W/B)     |
| Handle Design                              | Color-Coordinated (W/B)     |
| Exterior Finish (Side Panels)              | Color-Coordinated (W/B)     |
| Convection System                          |                             |
| Oven Cleaning System                       | Self Clean                  |
| Drawer Functionality                       | Storage                     |
| Oven Controls                              |                             |
| Bake                                       | Yes                         |
| Broil                                      | Low and High                |
| Add-a-Minute                               |                             |
| Delay Start                                |                             |
| Self-Clean/Clean Options                   | Yes/2, 3 Hours              |
| Steam Clean                                |                             |
| Delay Clean                                |                             |
| Kitchen Timer                              | Yes                         |
| Timed Cook Option                          | Yes                         |
| Auto Oven Shut-Off                         | 12 Hours                    |
| Oven Lock-Out                              | Yes                         |
| Cooktop Features                           |                             |
| Right Front Element (Watts)                | 6" - 1,250                  |
| Right Rear Element (Watts)                 | 8" - 2,100                  |
| Left Front Element (Watts)                 | 8" - 2,100                  |
| Left Rear Element (Watts)                  | 6" - 1,250                  |
| Center Element (Watts)                     |                             |
| Hot Surface Indicator Light                | Yes                         |
| Coil Cooktop/Drip Bowls                    | Yes/Chrome                  |
| Oven Features                              |                             |
| Capacity (Cu.Ft.)                          | 5.3                         |
| Oven Light                                 | 1                           |
| Hidden Bake Element                        |                             |
| Rack Configuration                         | 2 Standard                  |
| Baking System                              | Even Baking Technology      |
| Broiling System                            | Vari-Broil™ Hi/Lo           |
| Bake Element/Broil Element (Watts)         | 2,600/3,000                 |
| Specifications                             |                             |
| Oven Interior (H x W x D)                  | 19-3/4" x 24-3/8" x 19-1/8" |
| Power Supply Connection Location           | Middle Bottom Rear          |
| Voltage Rating                             | 240V/208V/60Hz              |
| Connected Load (kW Rating) @ 240/208 Volts | 12.5/9.5                    |
| Minimum Circuit Required (Amps)            | 40                          |
| Shipping Weight (Approx.)                  | 170 Lbs.                    |



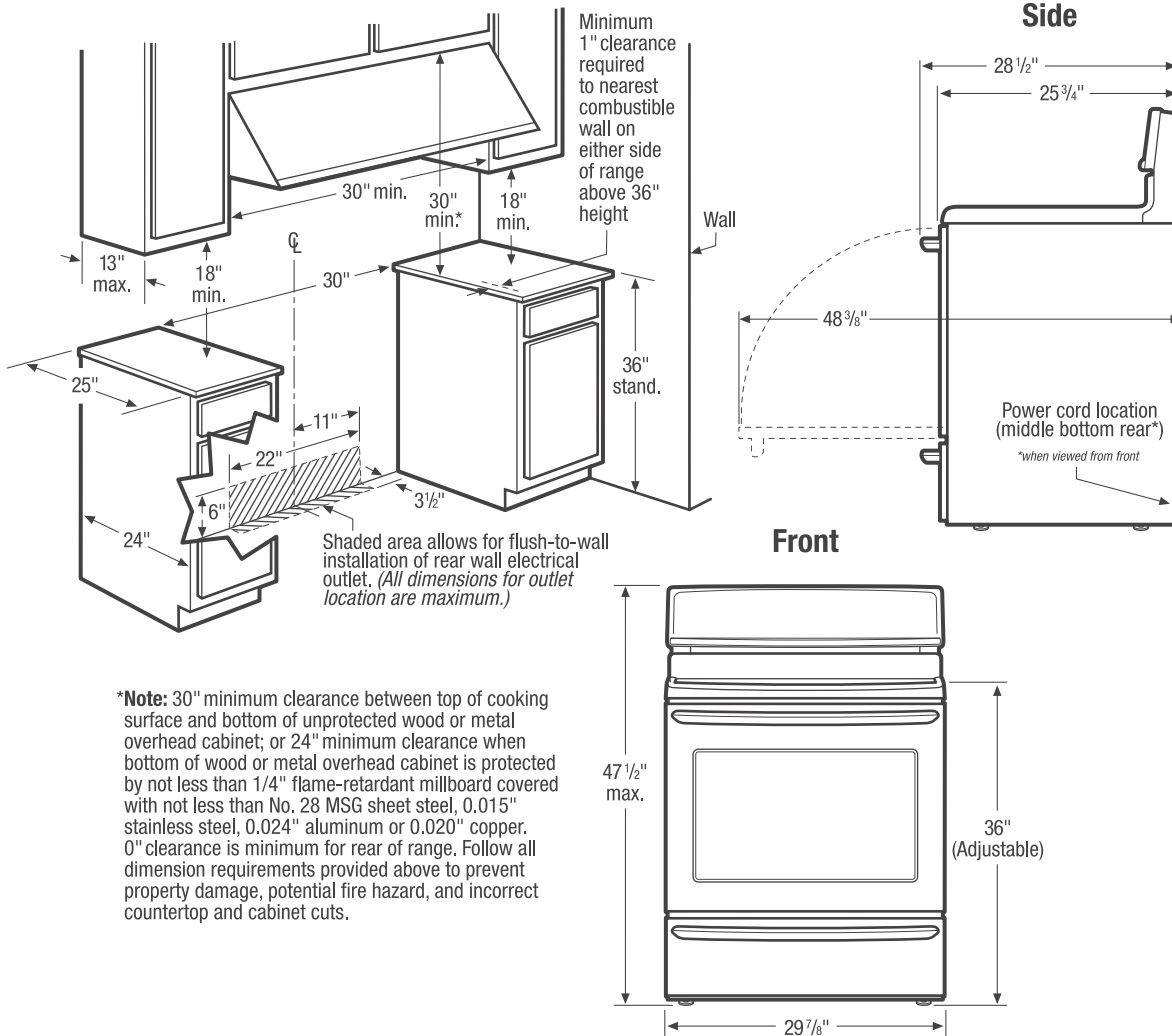
NOTE: For planning purposes only. Always consult local and national electric codes. Refer to Product Installation Guide for detailed installation instructions on the web at [frigidaire.com](http://frigidaire.com).



| Product Dimensions           |         |
|------------------------------|---------|
| A - Height (Max.)            | 47-1/2" |
| B - Width                    | 29-7/8" |
| C - Depth (Including Handle) | 28-1/2" |
| Depth with Door Open 90°     | 48-3/8" |

| Cutout Dimensions |     |
|-------------------|-----|
| Height (Standard) | 36" |
| Width (Min.)      | 30" |
| Depth (Min.)      | 24" |

Accessories information available on the web at [frigidaire.com](http://frigidaire.com)



**Freestanding Range Specifications**

- Product Shipping Weight (approx.) - 170 Lbs.
- Single phase 3- or 4-wire cable, 120/240 or 120/208 Volt, 60 Hertz, fused on both sides of line with ground.
- Connected Load (kW Rating) @ 240/208 Volts = 12.5/9.5kW
- Recommended Circuit Breaker - 40 Amps
- Always consult local and national electric codes.
- Make sure wall coverings around range can withstand heat generated by range.
- Floor beneath range MUST be solid and level.
- Overhead cabinetry should not exceed a 13" maximum depth.
- Absolute minimum horizontal distance between overhead cabinets installed to either side of appliance must be no less than maximum width of appliance.
- Range can be installed flush to wall with 0" minimum rear clearance.
- Minimum 1" clearance required from edge of rangetop to nearest combustible wall on either side of range above 36" height.

- Allow 30" minimum clearance between top of cooking surface and bottom of unprotected wood or metal overhead cabinet; or 24" minimum clearance when bottom of wood or metal overhead cabinet is protected by not less than 1/4" flame retardant millboard covered with not less than No. 28 MSG sheet steel, 0.015" stainless steel, 0.024" aluminum or 0.020" copper.
- To reduce risk of fire when using overhead cabinetry, install range hood that projects horizontally a recommended minimum of 5" beyond bottom of cabinets.
- Follow all dimension requirements provided to prevent property damage, potential fire hazard, and incorrect countertop and cabinet cuts.

**Note:** For planning purposes only. Refer to Product Installation Guide on the web at [frigidaire.com](http://frigidaire.com) for detailed instructions.



Use these dimensions and clearance instructions for planning purposes only. For detailed installation instructions, refer to installation guide, packed with product, or on the web at frigidaire.com.



\*When installing side-by-side refrigerator adjacent to wall, cabinet or another appliance that extends beyond front edge of unit, 20" minimum clearance recommended to allow for optimum 120° to 180° door swing, providing complete drawer/crisper access and removal. (Absolute 4-1/2" minimum clearance will ONLY allow for 90° door swing which will provide limited drawer/crisper access with restricted removal.)

When installing appliance with sliding drawer, swinging or drop-down door directly across from obstructions, provide sufficient clearance for drawer extension or door swings.



Use these dimensions and clearance instructions for planning purposes only. For detailed installation instructions, refer to installation guide, packed with product, or on the web at frigidaire.com.



\*When installing top mount refrigerator adjacent to wall, cabinet or other appliance that extends beyond front edge of unit, 20" minimum clearance recommended to allow for optimum 140° door swing, providing complete crisper access and removal. (Absolute 3" minimum clearance will ONLY allow for 90° door swing which will provide limited crisper access with restricted removal.)



Use these dimensions and clearance instructions for planning purposes only. For detailed installation instructions, refer to installation guide, packed with product, or on the web at [frigidaire.com](http://frigidaire.com).



\*When installing French door refrigerator adjacent to wall, cabinet or another appliance that extends beyond front edge of unit, 20" minimum clearance recommended to allow for optimum 120° to 180° door swing, providing complete drawer/crisper access and removal. (Absolute 4-1/2" minimum clearance will ONLY allow for 90° door swing which will provide limited drawer/crisper access with restricted removal.)

When installing appliance with sliding drawer, swinging or drop-down door directly across from obstructions, provide sufficient clearance for drawer extension or door swings.



Use these dimensions and clearance instructions for planning purposes only. For detailed installation instructions, refer to installation guide, packed with product, or on the web at frigidaire.com.

